



»R-SV4« series, heavy-duty, 2-stage

High quality, robust and long lifetime rotation secure coupling, heavy duty design.

It is suitable for an extremely rough conditions.

To make a secure connection between the coupling and plug, the plug-in nipple is fed into the coupling and rotated to the right until the mechanism clicks in audibly. The connection is uncoupled in which the plug-in nipple is rotated to the left and at the same time the release ring is pulled backwards. The plug-in nipple is captured upon ejection from the safety chamber and only released after another left or right turn by 90°.

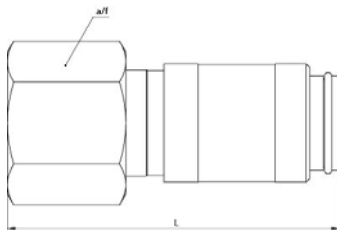
This coupling meets ISO standard DIN EN ISO 4414, EN 983.

Areas of application: Pneumatic system, machine and plant engineering, manufacturing industry, offshore, refineries.

Operating pressure	max. 25 bar / max. 16 bar when attaching / detaching
Temperature range	-20 °C to 100 °C
Flow rate	2100 l/min (air)
Flow rate measurement	at 6 bar and $\Delta p = 0.5$ bar
Housing	Steel, QPQ treated
Valve	Brass
Spring	Stainless steel
Sleeve	Brass
Threaded piece	Galvanised steel
Sealant	NBR

### Swivel safety coupling DN 11, heavy-duty series, female

Art. No.	Type No.	Connection	Length mm	a/f mm
141798	426.02-DREH-S	G 3/8 IT	75.0	36
141799	426.03-DREH-S	G 1/2 IT	75.0	36
141800	426.04-DREH-S	G 3/4 IT	75.0	36



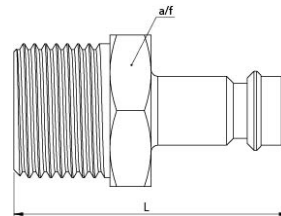
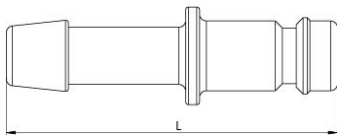
426.03-DREH-S

**Stem for couplings DN 11, heavy-duty series, hardened, galvanised steel**

Art. No.	Type No.	Description	Length mm
141804	426.75-S	Stem, I.D. 13	83.0
141805	426.76-S	Stem, I.D. 16	83.0
141806	426.77-S	Stem, I.D. 19	83.0

**Plug for couplings DN 11, heavy-duty series, hardened, galvanised steel**

Art. No.	Type No.	Description	Length mm	a/f mm
141801	426.62-S	Plug, G 3/8 ET	63.0	24
141802	426.63-S	Plug, G 1/2 ET	64.0	24
141803	426.64-S	Plug, G 3/4 ET	66.0	27



426.77-S



426.64-S

**Stem with check valve for couplings DN 11, heavy-duty series, hardened, galvanised steel, steel, QPQ treated**

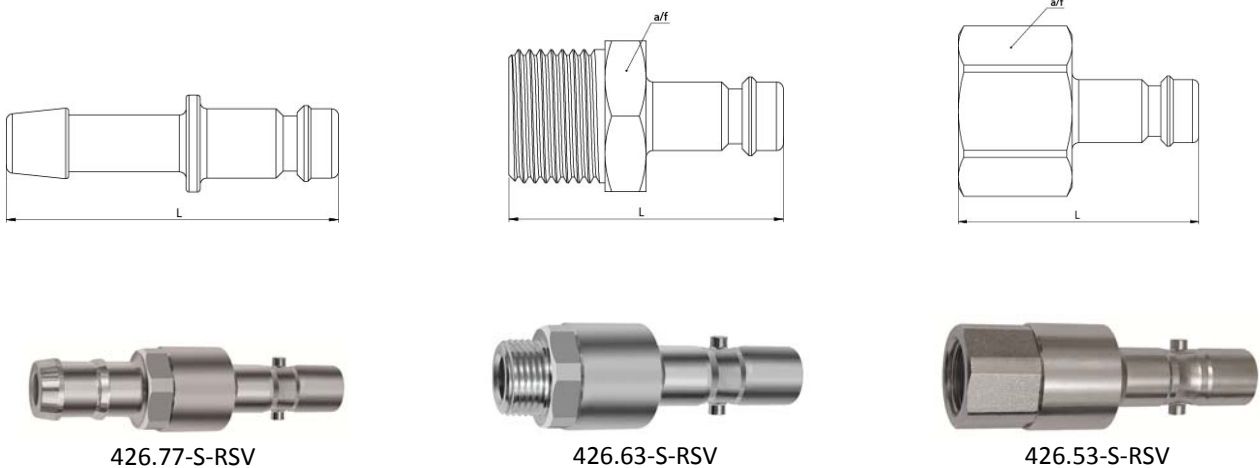
Art. No.	Type No.	Description	Length mm
141809	426.75-S-RSV	Stem, I.D. 13	114.0
141810	426.76-S-RSV	Stem, I.D. 16	114.0
141811	426.77-S-RSV	Stem, I.D. 19	114.0

**Plug with check valve for couplings DN 11, heavy-duty series, hardened, galvanised steel, steel, QPQ treated, male**

Art. No.	Type No.	Description	Length mm	a/f mm
141808	426.63-S-RSV	Plug, G 1/2 ET	89.0	27

**Plug with check valve for couplings DN 11, heavy-duty series, hardened, galvanised steel, steel, QPQ treated, female**

Art. No.	Type No.	Description	Length mm	a/f mm
141807	426.53-S-RSV	Plug, G 1/2 IT	89.0	30



**QPQ means Quench-Polish-Quench and it thereby contains a TENIFER treatment combined with an oxidising cool down step that is done twice with an intermediate treatment (polishing). Oxidation gives components an aesthetic black surface which is resistant to corrosion and in many cases even overlays galvanic or chemical edge layers. The QPQ process is a good alternative to nickel or chrome plating of materials.**